



ERCO Hi-trac track with uplights – Carrying it off

Hi-trac combines the flexible options of a track with the visual comfort of indirect lighting

The Hi-trac light structure is a heavy-duty system and allows very wide spacing between the suspensions. Hi-trac is an aluminium extrusion and available with integrated ERCO track in two versions: either with an empty upper compartment for cables or as an indirect luminaire.

Hi-trac enables the combination of indirect lighting with accent light from the track.

ERCO Hi-trac track with uplights



Structure and characteristics

The features described here are typical of products in this range. Special versions may offer additional or varying features. A comprehensive description of the features of individual products can be found on our website.

1 Panel profile

- White (RAL9002) or silver
- Aluminium, powder-coated
- Track and panel profile to be assembled on site

2 Contacts (lower part)

- 4 isolated copper conductors
- When used as DALI track: 1 16A circuit and 2 conductors for connecting to the DALI data line
- When used as 3-circuit track: three separately switchable circuits, 16A each

3 Earth conductor

4 Fixture with LED module (on upper side)

- High-power LED: warm white (2700K or 3000K) or neutral white (3500K or 4000K)
- Cover: diffuser, polymer, textured
- LED module operation with one track circuit
- Covered control gear: switchable, phase dimmable or DALI dimmable

or

Empty profile (upper side of track)

- For accommodating through-wiring or cover profiles

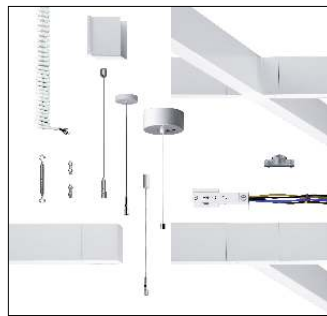
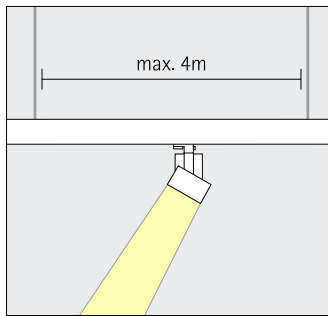
Variants on request

- Housing: 10,000 further colours
- Please contact your ERCO consultant.



Design and application:
www.erco.com/hi-trac

ERCO Hi-trac track with uplights



Investment-proof due to flexibility

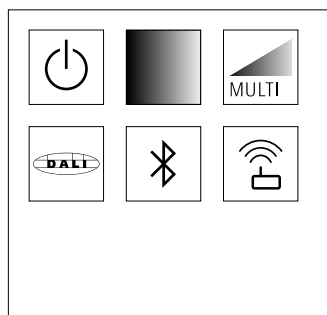
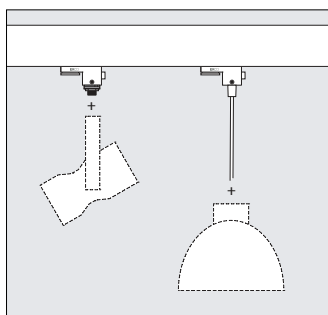
Thanks to durable, robust components that have been tried and tested over decades, Hi-trac track from ERCO provides a high level of investment security, even for future luminaire generations. This flexible infrastructure enables the implementation of lighting concepts with spotlights, downlights and wallwashers.

Wide spacing

The heavy-duty Hi-trac profiles allow wide spacing between the suspension points for wire or pendant suspensions.

Extensive accessories

Whether straight lines, L-shapes or rectangular configurations: use our extensive range of accessories to adapt the track layout to your project.



Open system for luminaires from other manufacturers

Use Hi-trac for your lighting design in combination with luminaires from other manufacturers. We supply suitable adapters, for example for spotlights and pendant luminaires, as OEM components.

One track for different types of control

ERCO uses an identical track profile for both 3-circuit mode with three separately switchable circuits and for DALI mode. In this way you remain flexible and you can also integrate wireless control types such as Casambi Bluetooth and Zigbee.

Special characteristics



Investment-proof due to flexibility



Wide spacing



Extensive accessories



OEM components



Control types



ERC high-power LEDs



Different light colours



Excellent thermal management



EMC-optimised



Various housing colours



Various construction sizes



Accessory for mounting variants



Switchable



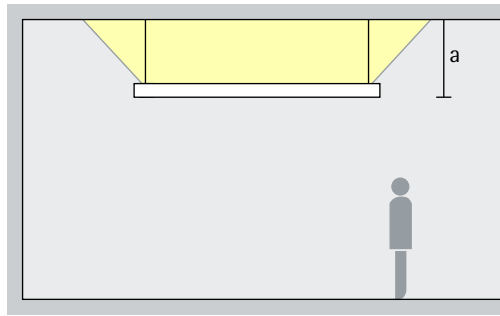
Phase dimmable



DALI dimmable

ERCO Hi-trac track with uplights – Luminaire arrangement

Luminaires, indirect
Indirect emission



General lighting

The LED module, mounted flush into the Hi-trac track from above, projects the light onto the ceiling, emphasising the dimensions of high rooms. The ideal distance (a) of the light structure to the ceiling is 1m.

Arrangement: $a = 1\text{m}$

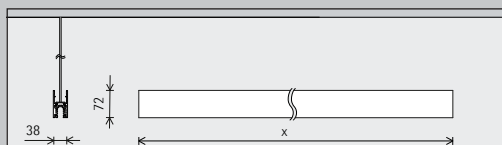
Carolina Rediviva
Library, Uppsala.
Lighting design:
Johan Celsing.
Photography:
Johan Elm, Stock-
holm.



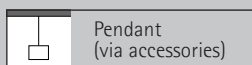
Fundación Fran-
cisco Godia,
Barcelona. Archi-
tect: Jordi Garcés,
Barcelona.

ERCO Hi-trac track with uplights

ERCO Hi-trac track



Type of mounting



Length

2000mm	4000mm
3000mm	Special length *

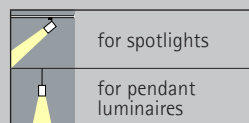
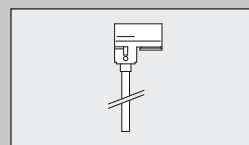
Application

3-circuit ✓ Switchable ✓ Phase dimmable ✓ Phase dimmable (via Multi Dim) ✓ Push Dim (via Multi Dim) ✓ Casambi Bluetooth ✓ Zigbee	DALI ✓ DALI ✓ DALI dimmable (via Multi Dim)
---	--

Colour (housing)

	White
	Silver
	10,000 colours *

ERCO OEM adapter



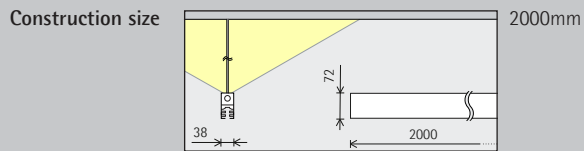
3-circuit ✓ Switchable ✓ Phase dimmable ✓ Casambi Bluetooth ✓ Zigbee	DALI ✓ DALI
---	-----------------------

	White
	Black

Accessories

	Connectors		Cover profile
	Suspension equipment		

Hi-trac luminaires



LED module
Maximum value
at 4000K CRI 82

11.7W/1693lm

Light colour (indirect)

	2700K CRI 92		3500K CRI 92
	3000K CRI 92		4000K CRI 82
	3000K CRI 97		4000K CRI 92

Control

	Switchable
	Phase dimmable
	DALI

Colour (housing)

	White
	Silver
	10,000 colours *

* available on request

Article numbers and planning data:
www.erco.com/012190

Design and application:
www.erco.com/hi-trac





gmp Architekten, Hamburg.
Architecture:
gmp Architekten,
Hamburg. Electrical engineering:
Joswig IBJ Engineers, Hamburg.
Lighting design:
Tom Schlotfeldt,
Schlotfeldt Licht,
Hamburg. Photography: Frieder
Blickle.